

R-TPK8706

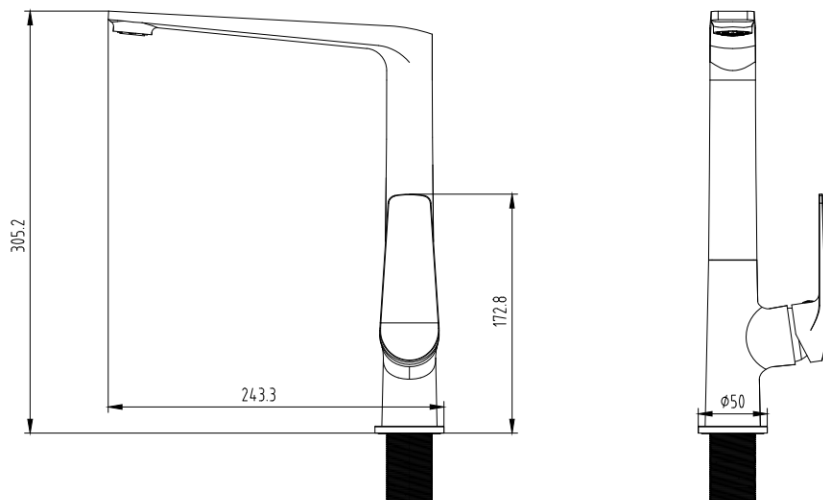
Sink Tap

PRODUCT SPECIFICATIONS

- Dimension : 243.3 (L) x 50 (W) x 305.2 (H) mm
- Material : Brass Chrome



TECHNICAL DRAWING



Copyright © Rigel Technology (S) Pte Ltd. All rights reserved. Terms of Use.